

BASIC INFORMATION

AV PLUS Axial Fan Ideal for ceiling mounting, thanks to its distinctive design and high-quality long-life ball bearings. The ceiling installation assumes a connection to the air-conditioning system.

Installation:

AV PLUS fans are installed in ducts of the appropriate diameter. Connection to the electrical installation must be carried out by qualified personnel – see installation instructions.



FEATURES & BENEFITS

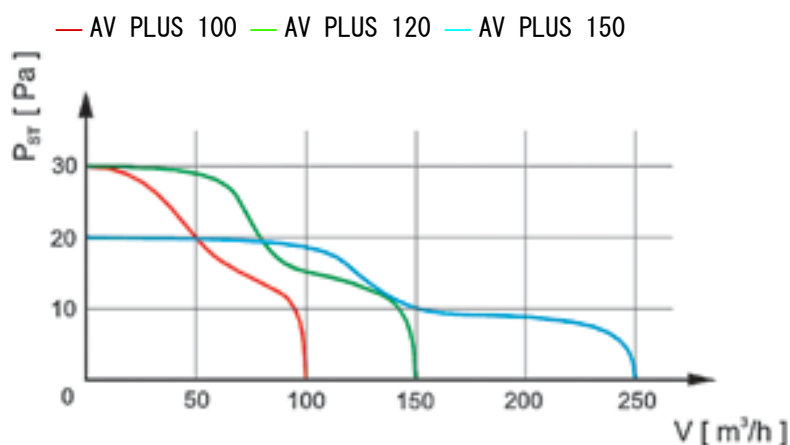
1. Connection to pipes pr. 100,125,150 mm
2. Small footprint
3. High protection IPX4
4. Temperatures from -20 °C to 40 °C
5. Ball bearings
6. Thermal protection up to 125 °C

Odp - zpracoval:	David Behner	Spr - schválil:	Jan Hájek	Datum:	
Podpis:		Podpis:		Strana / Počet stran:	1/3

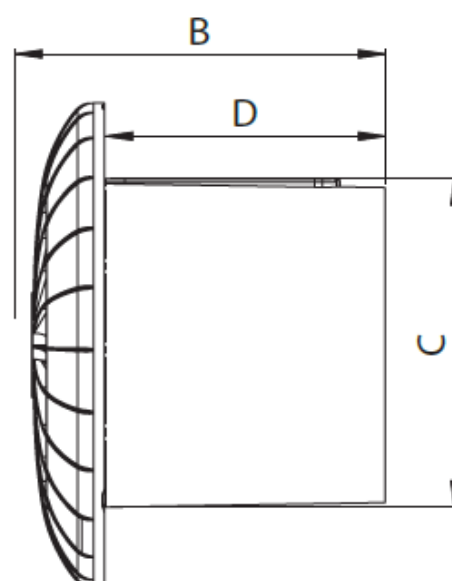
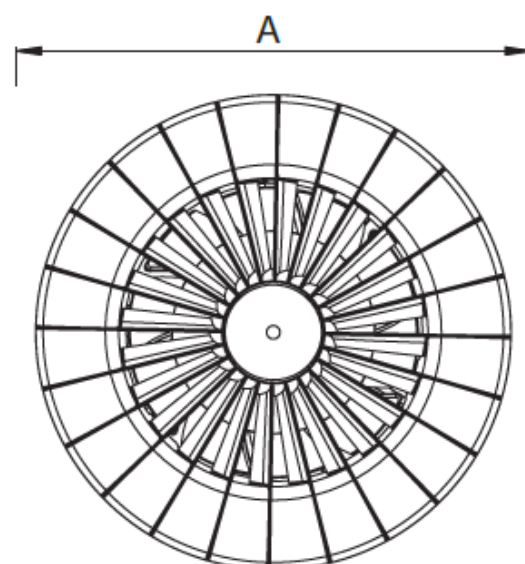
TECHNICAL FEATURES

	AV PLUS 100	AV PLUS 120	AV PLUS 150
Air flow rate (m ³ /h)	104	158	257
Static pressure (Pa)	30	30	20
Sound pressure 3m (dB)	38	44	45
Voltage (V)	230, 50 Hz	230, 50 Hz	230, 50 Hz
Power (W)	15	16	20
Speed (rpm)	2400 ± 200	2200 ± 200	1450 ± 200
Degree of coverage	IPX4	IPX4	IPX4
Net/gross weight (kg)	0,40 / 0,49	0,49 / 0,58	0,60 / 0,71

Pressure characteristics of fans



	AV PLUS 100	AV PLUS 120	AV PLUS 150
A	148	166,5	197
B	107,5	107,5	107,5
C	100	120	150
D	85	85	85



TECHNICAL SHEET PLUS AXIAL AV FAN



R-010109-VO/VO-[V]-A0

For more information, please contact www.haco.cz or our sales representatives:

- 1 Zuzana Matuchová**
tel.: +420 606 837 411
e-mail: zuzana.matuchova@haco.cz
- 2 Ladislav Chloupek**
tel.: +420 739 464 938
e-mail: ladislav.chloupek@haco.cz



Odp - zpracoval:	David Behner	Spr - schválil:	Jan Hájek	Datum:	
Podpis:		Podpis:		Strana / Počet stran:	3/3