

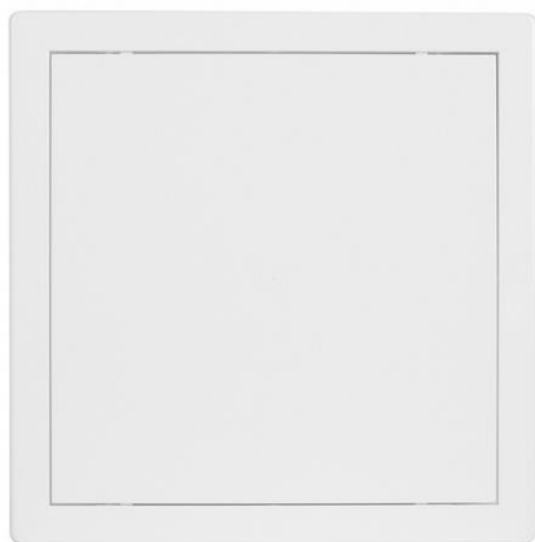
BASIC INFORMATION

Bathtub door:

- can be used as an opening cover for various building openings, penetrations and shafts,
- have an eccentrically placed hinge that allows the door to be opened as much as possible,
- are made of high-quality ASA plastic with high resistance to UV radiation,
- available in eight sizes (150x150, 150x200, 150x300, 200x200, 200x250, 200x300, 300x300, 300x400 mm).

Installation:

After unpacking, open the door and take it out of the frame. The frame itself is worked into the building opening using putty, silicone or screws. The condition is to maintain the shape of the frame without deformation. Make sure that the frame is installed flush with the wall! Let the walled-in frame harden and then put the door in the frame. With this door, even after the frame has been built, we can choose the direction Left/right opening.

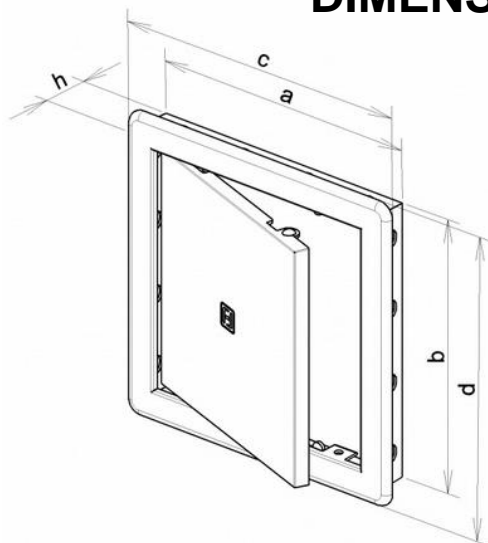


FEATURES & BENEFITS

- minimalist design,
- high-quality workmanship guaranteeing a long service life,
- weather-resistant,
- eccentrically placed hinge,
- intuitive opening system,
- simple installation and easy maintenance,
- The design of the door does not disturb the surrounding design.

Odp - zpracoval:	Ladislav Chloupek	Spr - schválil:	Jan Hájek	Datum:	
Podpis:		Podpis:		Strana / Počet stran:	1/2

DIMENSIONS



označení typu type	obj. číslo / ord. code bílá / white	rozměry / dimensions [mm]					ks/kart. pcs/box
		a	b	c	d	h	
VD 300 × 400	0109	298	398	321	421	24	15
VD 300 × 300	0101	298	298	318	318	24	20
VD 200 × 300	0102	198	298	218	318	24	25
VD 200 × 250	0108	198	248	218	268	24	30
VD 200 × 200	0103	198	198	216	216	24	40
VD 150 × 300	0132	148	298	164	318	24	35
VD 150 × 200	0110	148	198	164	214	19	30
VD 150 × 150	0104	148	148	164	164	19	30

For more information, please [contact www.haco.cz](http://www.haco.cz) or our sales representatives:

1 Zuzana Matuchová
tel.: +420 606 837 411
e-mail: zuzana.matuchova@haco.cz

2 Ladislav Chloupek
tel.: +420 739 464 938
e-mail: ladislav.chloupek@haco.cz



Odp - zpracoval:	Ladislav Chloupek	Spr - schválil:	Jan Hájek	Datum:	
Podpis:		Podpis:		Strana / Počet stran:	2/2