

BASIC INFORMATION

The axial duct fan is suitable for Haco ducts. Thanks to the separate mounting plate, it can also be installed outside the pipe. Together with the Haco ventilation system and ventilation grilles, it forms a comprehensive ventilation solution where it is possible to place the air conditioning ducts above the ceiling, outside the interior of the rooms.

Installation:

AV JET fans are installed in pipes of the appropriate diameter. Connection to the electrical installation must be carried out by qualified personnel – see installation instructions.



FEATURES & BENEFITS

1. Connection to pipes pr. 100,125, 150 mm
2. Small footprint
3. High protection IPX4
4. Temperatures from -20 °C to 40 °C
5. Plain bearings
6. Thermal protection up to 125 °C

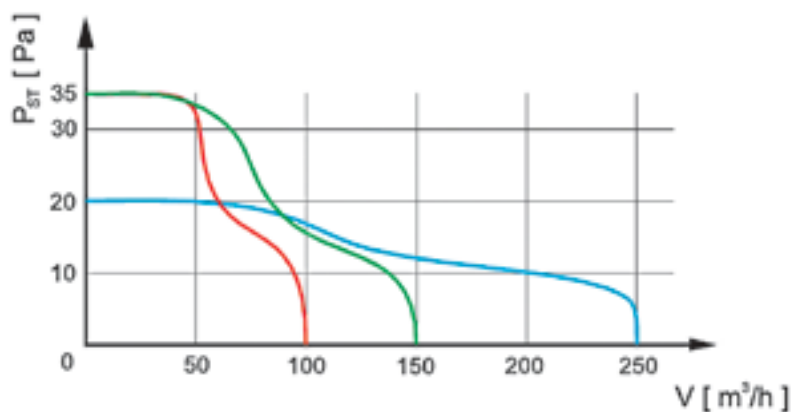
Odp - zpracoval:	David Behner	Spr - schválil:	Jan Hájek	Datum:	
Podpis:		Podpis:		Strana / Počet stran:	1/3

TECHNICAL FEATURES

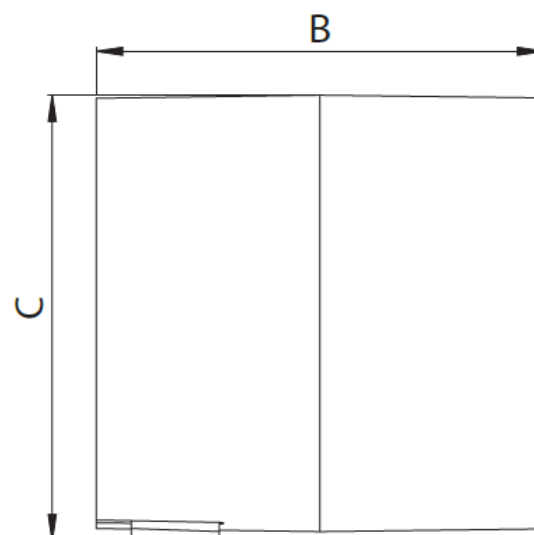
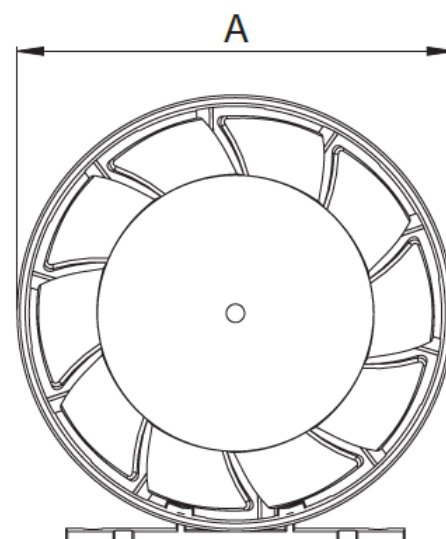
	AV JET 100	AV JET 120	AV JET 150
Air flow rate (m ³ /h)	104	158	257
Static pressure (Pa)	35	35	20
Sound pressure 3m (dB)	42	44	41
Voltage (V)	230, 50 Hz	230, 50 Hz	230, 50 Hz
Power (W)	15	16	20
Speed (rpm)	2400 ± 200	2200 ± 200	1450 ± 200
Degree of coverage	IPX4	IPX4	IPX4
Net/gross weight (kg)	0,37 / 0,47	0,46 / 0,56	0,57 / 0,67

Pressure characteristics of fans

— AV JET 100 — AV JET 120 — AV JET 150



	AV JET 100	AV JET 120	AV JET 150
A	99,5	119,5	149,5
B	102	102	102
C	102	122	152



Odp - zpracoval:	David Behner	Spr - schválil:	Jan Hájek	Datum:	
Podpis:		Podpis:		Strana / Počet stran:	2/3

TECHNICAL SHEET AXIAL FAN AV JET

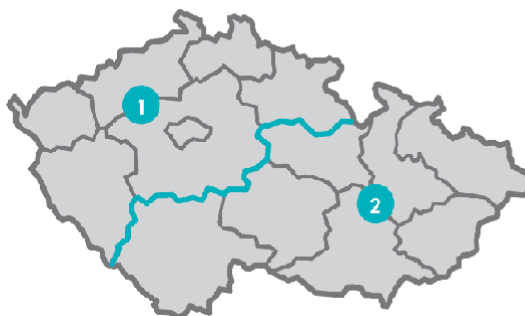


R-010109-VO/VO-[V]-A0

For more information, please contact www.haco.cz or our sales representatives:

1 Zuzana Matuchová
tel.: +420 606 837 411
e-mail: zuzana.matuchova@haco.cz

2 Ladislav Chloupek
tel.: +420 739 464 938
e-mail: ladislav.chloupek@haco.cz



Odp - zpracoval:	David Behner	Spr - schválil:	Jan Hájek	Datum:	
Podpis:		Podpis:		Strana / Počet stran:	3/3