

BASIC INFORMATION

Gravity ventilation grille:

- can be used both outdoors and indoors,
- is made of high-quality ASA plastic with high resistance to UV radiation,
- prevents the flow of cold air into the interior,
- it is equipped with a flange on the back, for direct connection of pipes,
- available in three sizes in white (150x150 mm – flange Ø100 mm, 175x175 mm – flange Ø125 mm, 200x200 mm – flange Ø150 mm),
- Active area of the product:
150x150 (70cm²), 175x175 (100cm²), 200x200 (170cm²).

Installation:

The grille is inserted into the pipe with a flange and fixed to the substrate with screws and dowels. It is advisable to fit the grille with the enclosed sealing strip of foam to reduce noise.

Package contents:

Ventilation grille, screws and dowels, foam sealing strip.

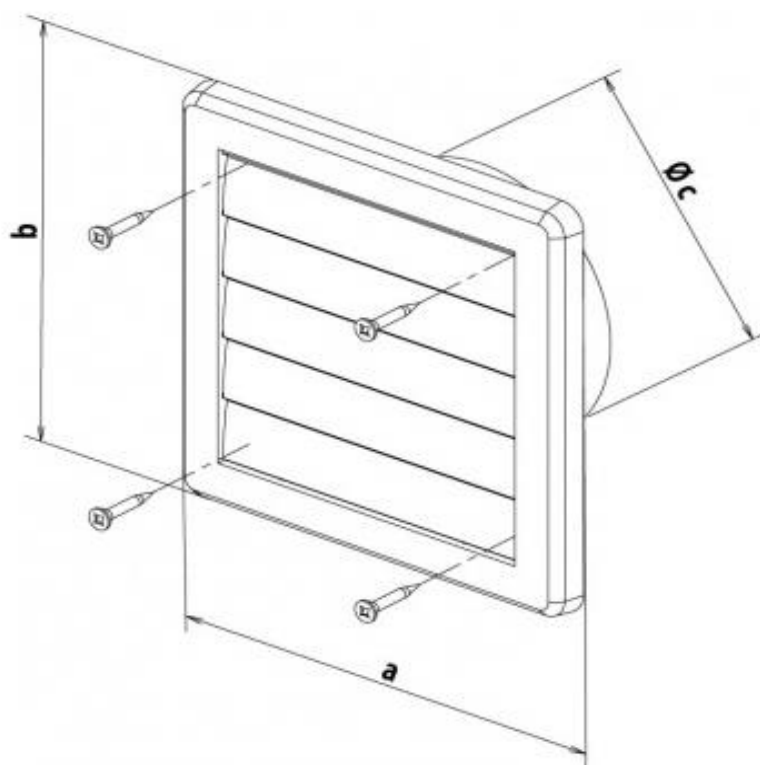


FEATURES & BENEFITS

- simple, clean design,
- high-quality workmanship guaranteeing a long service life,
- functional element preventing reverse air flow,
- simple installation and easy maintenance,
- Colour stability.

Odp - zpracoval:	Ladislav Chloupek	Spr - schválil:	Jan Hájek	Datum:	
Podpis:		Podpis:		Strana / Počet stran:	1/2

DIMENSIONS



označení typu type	objednáací číslo / ordering code	rozměry / dimensions [mm]			ks/kart. pcs/box
	bílá / white	a	b	Øc	
VM 200×200 G/150	0237	205	205	151	60
VM 175×175 G/125	0233	175	175	118	70
VM 150×150 G/100	0215	155	155	99	80

For more information, please contact www.haco.cz or our sales representatives:

1 Zuzana Matuchová
tel.: +420 606 837 411
e-mail: zuzana.matuchova@haco.cz

2 Ladislav Chloupek
tel.: +420 739 464 938
e-mail: ladislav.chloupek@haco.cz



Odp - zpracoval:	Ladislav Chloupek	Spr - schválil:	Jan Hájek	Datum:	
Podpis:		Podpis:		Strana / Počet stran:	2/2