

BASIC INFORMATION

Gravity ventilation grille - flap:

- can be used both outdoors and indoors,
- is made of high-quality ASA plastic with high resistance to UV radiation,
- prevents the flow of cold air into the interior,
- it is equipped with a flange on the back for direct connection of the pipe,
- the gravity flap is covered by a canopy that reduces noise and prevents spontaneous opening,
- It is available in two sizes in white (150x150 mm – flange Ø100 mm, 175x175 mm – flange Ø125 mm).
- Active area of the product:
150x150 (70cm²), 175x175 (100cm²)

Installation:

Before installation, it is necessary to remove the flexible canopy so that the screw holes are accessible. The grille is inserted into the pipe with a flange and fixed to the substrate with screws and dowels. It is advisable to fit the grille with the enclosed sealing strip of foam to reduce noise. When the installation is complete, the canopy is placed back in place by simply pushing it in.

Package contents:

Ventilation grille, screws and dowels, foam sealing strip.

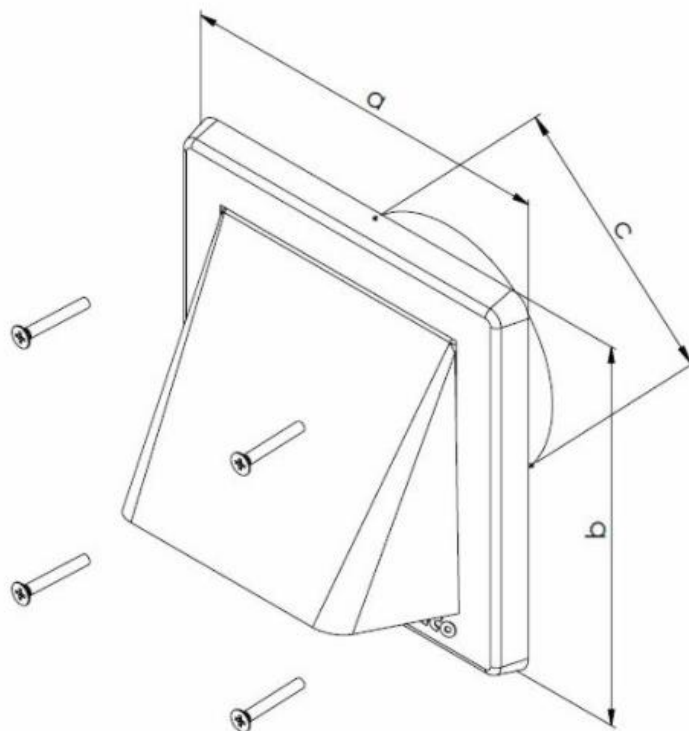


FEATURES & BENEFITS

- Simple, clean design,
- high-quality workmanship guaranteeing a long service life,
- Functional element preventing air flow back
- the flap is covered by a roof,
- simple installation and easy maintenance,
- Colour stability.

Odp - zpracoval:	Ladislav Chloupek	Spr - schválil:	Jan Hájek	Datum:	
Podpis:		Podpis:		Strana / Počet stran:	1/2

DIMENSIONS



označení typu type	objednáací číslo / ordering code	rozměry / dimensions [mm]			ks/kart. pcs/box
	bílá / white	a	b	Øc	
VM 175 × 175 GK/125 B	0240	175	175	118	28
VM 150 × 150 GK/100 B	0239	155	155	99	40

For more information, please contact www.haco.cz or our sales representatives:

1 Zuzana Matuchová
tel.: +420 606 837 411
e-mail: zuzana.matuchova@haco.cz

2 Ladislav Chloupek
tel.: +420 739 464 938
e-mail: ladislav.chloupek@haco.cz



Odp - zpracoval:	Ladislav Chloupek	Spr - schválil:	Jan Hájek	Datum:	
Podpis:		Podpis:		Strana / Počet stran:	2/2